

Tile Cutting Machines with steel base plate



Art. No.	cutting length:	tile thickness	Ø (mm)
115	300 mm	10 mm	15 x 6

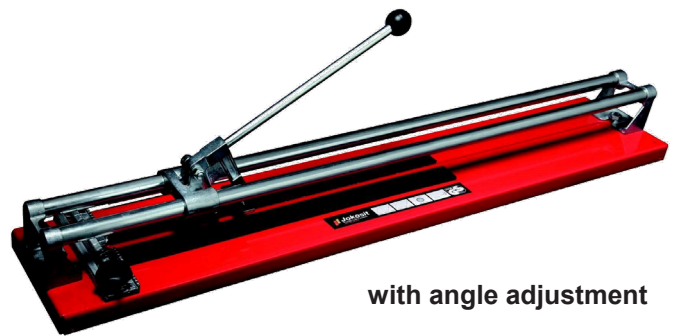


Art. No.	cutting length:	tile thickness	Ø (mm)
166	400 mm	15 mm	15 x 6



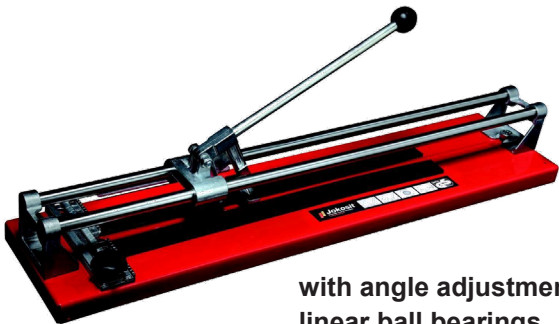
with angle adjustment

Art. No.	cutting length:	tile	Ø
153	470 mm	18 mm	22 x 6
154	600 mm	18 mm	22 x 6



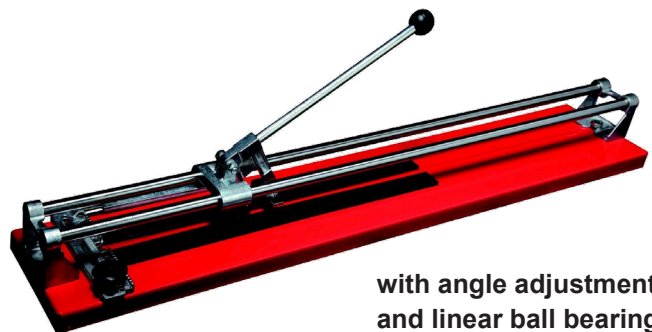
with angle adjustment

Art. No.	cutting length:	tile	Ø
158	800 mm	18 mm	22 x 6



with angle adjustment and linear ball bearings

Art. No.	cutting length:	tile	Ø
163	470 mm	18 mm	22 x 6
164	600 mm	18 mm	22 x 6



with angle adjustment and linear ball bearings

Art. No.	cutting length:	tile thickness	Ø (mm)
165	800 mm	18 mm	22 x 6

Carbide Cutting Wheels, ground

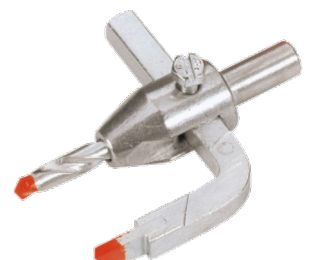


Art. No.	Ø (mm)
053	22 x 6

Art. No.	Ø (mm)
054	15 x 6

Carbide Tile-Hole Cutter

Art. No.	drilling range
600	30 - 80 mm



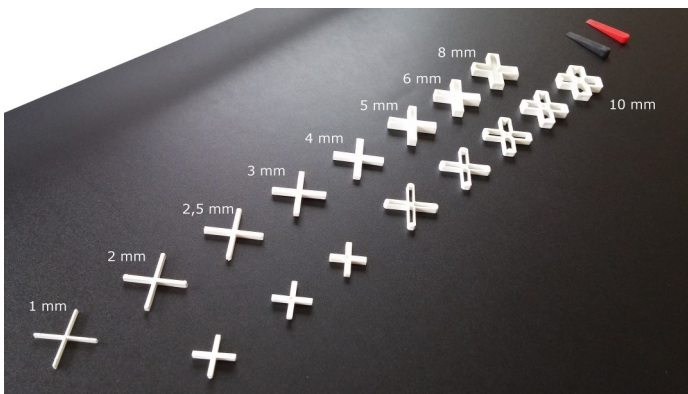
Tile Spacer and Cork Pads

Tile Spacers

in poly bag



Art. No. 250 pcs/bag	Art. No. 200 pcs/bag	Art. No. 100 pcs/bag	size (mm)
20250L	20200L	20100L	2 x 28
25250L	25200L	25100L	2.5 x 28
30250L	30200L	30100L	3 x 28
40250	40200	40100	4 x 22
50250	50200	50100	5 x 22
60250	60200	60100	6 x 24
---	80200	80100	8 x 30
---	---	10100	10 x 30



Cork Inseal Pads

on roll with paper lay self-adhesive, cork stacking discs are ideal spacers for glass, plastics, wood and many other sensitive surfaces, simple to use as transport and storage protection, easy to remove again

Art. No. L5507-2

size 15 x 15

thickness 6 mm

60.000 pcs per carton

Art. No. L5507-3

size 18 x 18

thickness 8 mm

30.000 pcs per carton



White Polyurethane Foam Tapes

fine open-cell, with brown PVC backing, not UV-resistant, highly compressible and very adaptable



Art. No. thickness 6 mm	size (mm)	length (mtr)	pcs/ carton
14003-03/12	10	12	25
14003-03/15	10	15	20
14003-03/19	10	19	16
14003-03/25	10	25	12
14003-03/30	10	30	10

Art. No. thickness 8 mm	size (mm)	length (mtr)	pcs/ carton
14003-03/15/8	7.5	12	25
14003-03/19/8	7.5	15	20
14003-03/25/8	7.5	19	16

Art. No. thickness 9 mm	size (mm)	length (mtr)	pcs/ carton
14003-03/9/9	7.5	12	25

Art. No. thickness 10 mm	size (mm)	length (mtr)	pcs/ carton
14003-03/19/10	7.5	12	25